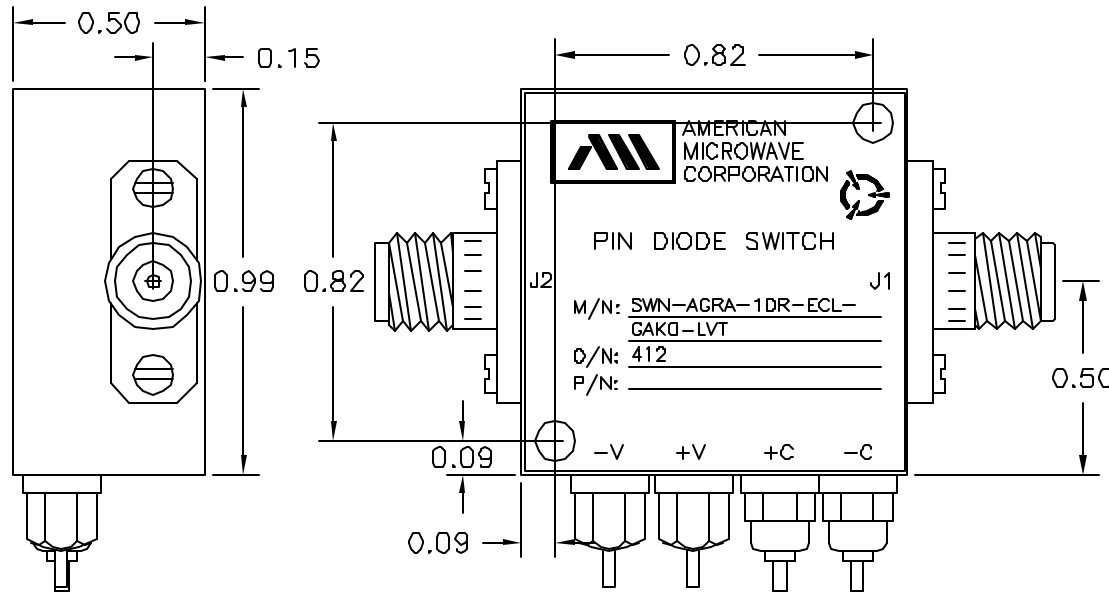


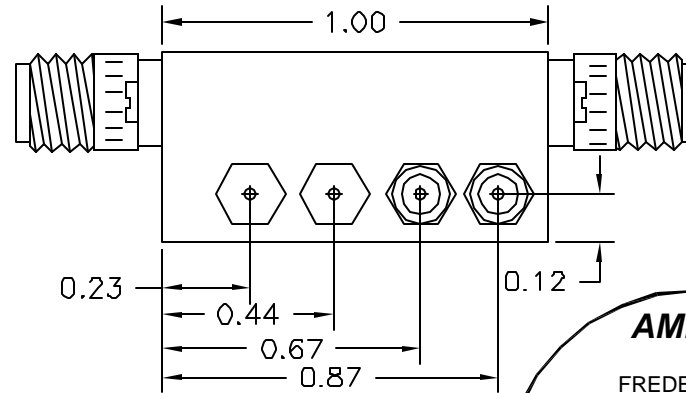
**DESCRIPTION:**

AMC MODEL SWN-AGRA-1DR-ECL-GAKO-LVT OPTION: 412 IS A REFLECTIVE, LOW LOSS, LOW VIDEO TRANSIENT, ULTRA HIGH SPEED, ECL LOGIC SINGLE POLE SINGLE THROW SWITCH DESIGNED TO OPERATE BETWEEN THE 4 TO 12 GHz FREQUENCY RANGE.

REVISIONS				
ZONE	REV.	DESCRIPTION	DATE	APPROVED
	-	ORIGINAL RELEASE JOB# 508206	9/14/05	



**MECHANICAL OUTLINE**



**AMERICAN MICROWAVE CORPORATION**

7311-G GROVE ROAD  
 FREDERICK, MARYLAND 21704 USA  
 TEL: 301-662-4700 FAX: 301-662-4938  
 WEBSITE: [www.americanmicrowavecorp.com](http://www.americanmicrowavecorp.com)  
 E-MAIL: [sales@americanmicrowavecorp.com](mailto:sales@americanmicrowavecorp.com)  
 ISO 9001:2000 CERTIFIED



ALL DIMENSIONS ARE IN INCHES  
 TOLERANCES:  
 X.XX ±0.020  
 X.XXX ±0.010

APPROVALS		DATE	TITLE		
DRAWN	<i>FDS</i>	9/14/05	MECHANICAL OUTLINE SWN-AGRA-1DR-ECL-GAKO-LVT OPTION: 412		
CHECKED			SIZE	FSCHM NO.	DWG NO.
ISSUED			A	60483	100-7491
			SCALE	N:S	SHEET 2 OF 4

**DESCRIPTION:**

AMC MODEL SWN-AGRA-1DR-ECL-GAKO-LVT OPTION: 412 IS A REFLECTIVE, LOW LOSS, LOW VIDEO TRANSIENT, ULTRA HIGH SPEED, ECL LOGIC SINGLE POLE SINGLE THROW SWITCH DESIGNED TO OPERATE BETWEEN THE 4 TO 12 GHz FREQUENCY RANGE.

**SPECIFICATIONS:**

- FREQUENCY RANGE: ..... 4 TO 12 GHz
- INSERTION LOSS: ..... 2.5 dB MAXIMUM
- ISOLATION: ..... 70 dB MINIMUM
- VSWR: ..... 2.0:1
- RISE TIME: ..... 2 nSec MAXIMUM
- FALL TIME: ..... 2 nSec MAXIMUM
- DELAY ON: ..... 10 nSec MAXIMUM
- DELAY OFF: ..... 10 nSec MAXIMUM
- CONTROL: ..... ECL COMPATIBLE
- VIDEO TRANSIENTS: ..... 20 mV P-P @ 20 MHz BANDWIDTH  
350 mV P-P @ 100 MHz BANDWIDTH
- POWER INPUT: ..... (CW)+20 dBm (STANDARD),  
+10 dBm (HIGH SPEED)
- SURVIVAL POWER: ..... 1 WATT CW, 10 WATTS PEAK 1 uSec
- POWER SUPPLY: ..... +5V @ 80 mA MAXIMUM  
-5V @ 80 mA MAXIMUM
- CONNECTORS:  
RF: ..... SMA FEMALE  
CONTROL: ..... SOLDER PIN
- SIZE: ..... 1.00" (L) x 1.00" (W) x 0.50" (H)
- WEIGHT: ..... 1.5 OUNCE TYPICAL

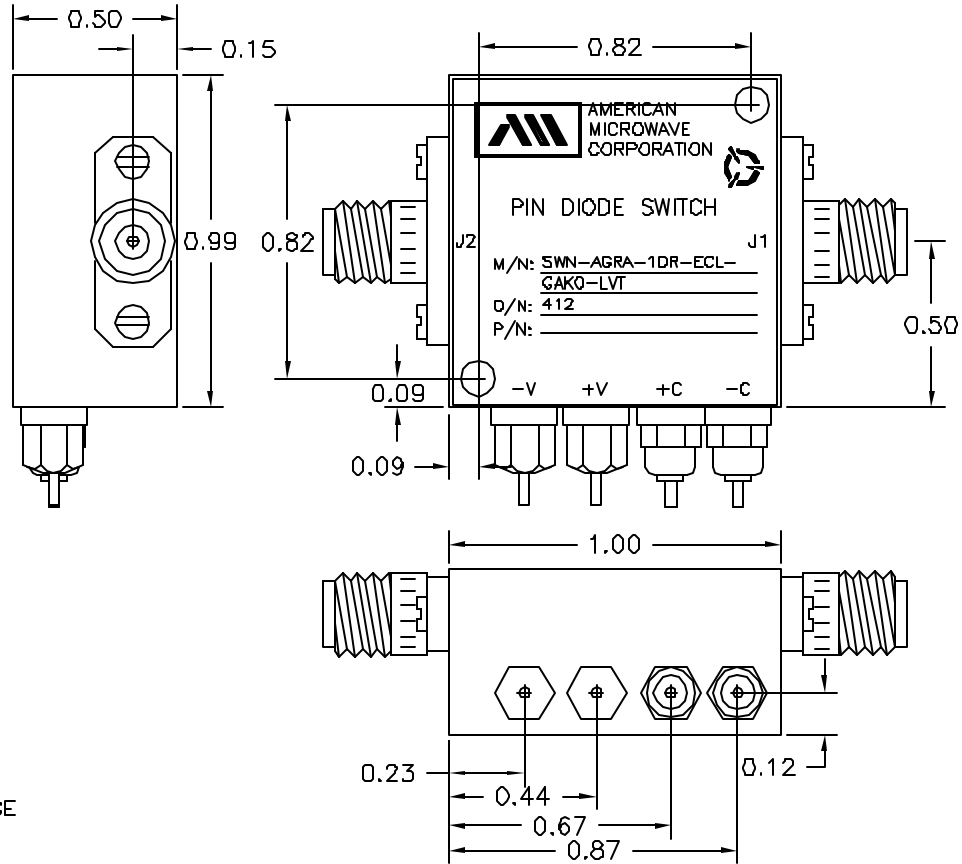
**OPTIONS:**

- 412: ..... OPTIMIZED FOR 4 TO 12 GHz FREQUENCY RANGE

**ENVIRONMENTAL RATINGS:**

- TEMPERATURE: ..... -55°C TO +85°C (OPERATING)  
-65°C TO +125°C (STORAGE)
- HUMIDITY: ..... MIL-STD-202F, METHOD 103B COND. B
- SHOCK: ..... MIL-STD-202F, METHOD 213B COND. B
- VIBRATION: ..... MIL-STD-202F, METHOD 204D COND. B
- ALTITUDE: ..... MIL-STD-202F, METHOD 105C COND. B
- TEMPERATURE CYCLE: ..... MIL-STD-202F, METHOD 107D COND. A

NOTE: SPECIFICATIONS WILL VARY OVER OPERATING TEMPERATURE  
NOTE: THE ABOVE SPECIFICATIONS ARE SUBJECT TO CHANGE OR REVISION



ALL DIMENSIONS ARE IN INCHES  
TOLERANCES:  
XXX ±0.020  
XXX ±0.010

REVISIONS				
ZONE	REV.	DESCRIPTION	DATE	APPROVED
-	-	ORIGINAL RELEASE JOB# 508206	9/14/05	

**AMERICAN MICROWAVE CORPORATION**

7311-G GROVE ROAD  
FREDERICK, MARYLAND 21704 USA  
TEL: 301-662-4700 FAX: 301-662-4938  
WEBSITE: [www.americanmicrowavecorp.com](http://www.americanmicrowavecorp.com)  
E-MAIL: [sales@americanmicrowavecorp.com](mailto:sales@americanmicrowavecorp.com)  
ISO 9001:2000 CERTIFIED



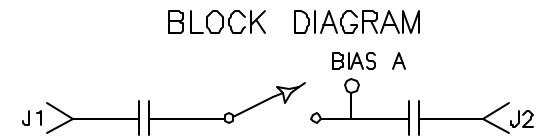
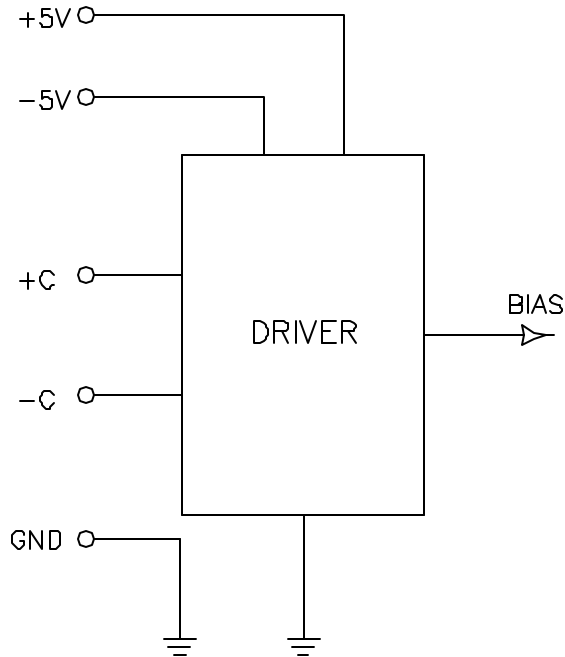
APPROVALS		DATE	TITLE		REV.
DRAWN <i>FDJ</i>		9/14/05	PRODUCT FEATURE SWN-AGRA-1DR-ECL-GAKO-LVT OPTION: 412		-
CHECKED			4-12 GHz, SINGLE POLE SINGLE THROW SWITCH	SIZE FSCM NO.	DWG NO.
ISSUED			A	60483	100-7491
SCALE N:S			SHEET 1 OF 4		

**DESCRIPTION:**

AMC MODEL SWN-AGRA-1DR-ECL-GAKO-LVT OPTION: 412 IS A REFLECTIVE, LOW LOSS, LOW VIDEO TRANSIENT, ULTRA HIGH SPEED, ECL LOGIC SINGLE POLE SINGLE THROW SWITCH DESIGNED TO OPERATE BETWEEN THE 4 TO 12 GHz FREQUENCY RANGE.

REVISIONS				
ZONE	REV.	DESCRIPTION	DATE	APPROVED
	-	ORIGINAL RELEASE JOB# 508206	9/14/05	

**FUNCTIONAL BLOCK DIAGRAM**



**AMERICAN MICROWAVE CORPORATION**

7311-G GROVE ROAD  
 FREDERICK, MARYLAND 21704 USA  
 TEL: 301-662-4700 FAX: 301-662-4938  
 WEBSITE: [www.americanmicrowavecorp.com](http://www.americanmicrowavecorp.com)  
 E-MAIL: [sales@americanmicrowavecorp.com](mailto:sales@americanmicrowavecorp.com)  
 ISO 9001:2000 CERTIFIED



APPROVALS		DATE	TITLE		
DRAWN <i>FDS</i>		9/14/05	FUNCTIONAL BLOCK DIAGRAM SWN-AGRA-1DR-ECL-GAKO-LVT OPTION: 412		
CHECKED			4-12 GHz, SINGLE POLE SINGLE THROW SWITCH		
ISSUED			SIZE A	FSCH NO. 60483	DWG NO. 100-7491
SCALE N:S			SHEET 3 OF 4		REV. -